

# ELEA

## Contents

	Page
Range introduction, product concept	274
2 Raster lower sections (with top panel), 4 Raster sideboard	275
6 Raster single units and highboards, 8 and 11 Raster cabinets	276
Wall shelves, 1 Raster angled shelves with shelf of bronzed glass (and lamp), 2 Raster angled wooden shelves, 2 Raster wall units with flap	277
3 Raster wall units with doors, 6 Raster wall cabinets and wall unit with doors	278
Accessories	278-279
Lamps, Tip-Tronic, remote control unit, top glass section for TV, column system/flat screen support for free wall assembly	280
hülsta-HOMEOFFICE, ERGOMO, coffee tables, dining rooms	281
Special combinations	282-283
Suggested combinations	284-285
Special products	325-329
Tip-Tronic-, radio remote control unit (for switching lights on and off easily)	330-333
Cable apertures	334-335

**ELEA** is a compact system range with a clear geometrical design which is enhanced in true craftsmanship by horizontal so-called "relief planed" surfaces. This "relief-style" planing enhances the grain of the wood and can even be experienced by touch. Cubic glass panels of cabinets standing on the floor and wall cabinets give the furniture its own special character.

Design and nature, long irreconcilable, have now come together.

In nature, solid wood adapts to changing levels of moisture and temperature by altering its form. This is an undesirable effect in solid wooden furniture. By developing its 5-layer solid wooden boards, hülsta has developed a close-to-nature solution which exploits the fact that the shape of the wood alters to varying degrees in different directions compared to the run of the grain. A wooden core and 4 veneer layers of the same type of wood are connected in such a way that the direction of the grain alternates in every layer: lengthwise – sideways – lengthwise – sideways – lengthwise. The result: a perfect solid wooden look and a considerably reduced susceptibility to warping compared to solid wood.

## Product concept

**ELEA** provides many lower sections and solitary units with which the user can create small living room combinations with TV units, storage space and shelves. A variety of angled shelves, wall shelves and numerous wall units can also be included to enhance the suite. There are lamps with innovative LED technology which are provided for illuminating the units.

- Lower sections and lower sections with top panel
- Single units, sideboard, highboards and cabinets
- Angled shelves with shelves of bronzed glass, with optional lamps, angled wooden shelves, wall shelves
- Wall units in various heights
- Innovative assortment of lamps and comprehensive range of accessories
- Coffee tables

**Important notes:** Fittings for wall mounting are provided with nearly all the units which should be used for your own safety and for constructional reasons. The assembly materials supplied by hülsta (plugs, screws) are only suitable for fitting components on to concrete and/or solid walls. Ideally, one should inquire about the soundness of the walls with regard to their suitability for mounting units when orders are placed and be sure to check them later before mounting any units. If any surfaces are not suitable for mounting units (e.g. plastered or lighter wall materials), one should use another method better suited to the material on site.

- **All wooden fronts in relief planing**  
(exception: drawers of side- and highboards)
- Max. load of wooden and glass shelves  
(up to 55.0 cm width) as well as drawers:  
25 kg
- Max. load of wooden and glass shelves  
(from 55.0 cm width): 15 kg
- **hülsta-SoftFlow:** all drawers on hidden  
roller bearings with auto pull-in feature  
with brake, pull out fully
- **hülsta-MagicClose:** all wooden hinge-  
doors with door hinge brake

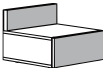
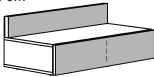
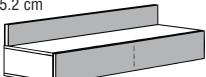
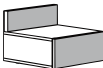
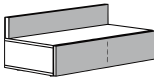
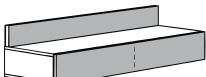
## List of versions

Model no.	Version	Price group
<b>206</b> <b>207</b>	Solid structured beech Solid natural oak	<b>I</b> <b>II</b>

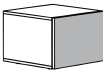
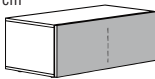
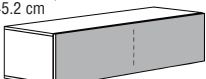
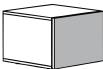
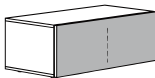
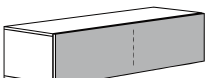
## 2 Raster lower sections with top panel

Accessories see pages 278-280!

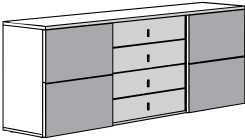
ELEA

<p><b>2 Raster lower sections with top panel</b> 39.9 cm high (incl. 1.5 cm high plinth adjusters), 55.0 cm deep</p> <p>Top panel 16.0 cm high</p> <p>incl. 1 cable aperture behind 55 cm wide flap or 2 cable apertures behind 110 and 165 cm wide flap</p> <p>Max. load: 60 kg</p>		<p>1 flap</p> <p>Usable dimensions behind flap: Height: 18.6 cm Width: 51.5 cm Depth: 45.2 cm</p>  <p>55 cm wide</p>	<p>1 flap with 1 centre partition</p> <p>Usable dimensions behind flap: Height: 18.6 cm Width (each side): 51.5 cm Depth: 45.2 cm</p>  <p>110 cm wide</p>	<p>1 flap with 1 centre partition</p> <p>Usable dimensions behind flap: Height: 18.6 cm Width (each side): 79.0 cm Depth: 45.2 cm</p>  <p>165 cm wide</p>
	<b>Price gr.</b>	<b>2508</b>	<b>21108</b>	<b>21608</b>
	I	-	-	-
	II	-	-	-
		<p>1 drawer</p>  <p>55 cm wide</p>	<p>1 drawer with split drawer frame</p>  <p>110 cm wide</p>	<p>1 drawer with split drawer frame</p>  <p>165 cm wide</p>
<b>Price gr.</b>	<b>2501</b>	<b>21101</b>	<b>21601</b>	
I	-	-	-	
II	-	-	-	

## 2 Raster lower sections

<p><b>2 Raster lower sections</b> 39.9 cm high (incl. 1.5 cm high plinth adjusters), 55.0 cm deep</p> <p>incl. 1 cable aperture behind 55 cm wide flap or 2 cable apertures behind 110 and 165 cm wide flap</p> <p>Max. load: 60 kg</p>		<p>1 flap</p> <p>Usable dimensions behind flap: Height: 34.6 cm Width: 51.5 cm Depth: 45.2 cm</p>  <p>55 cm wide</p>	<p>1 flap with 1 centre partition</p> <p>Usable dimensions behind flap: Height: 34.6 cm Width (each side): 51.5 cm Depth: 45.2 cm</p>  <p>110 cm wide</p>	<p>1 flap with 1 centre partition</p> <p>Usable dimensions behind flap: Height: 34.6 cm Width (each side): 79.0 cm Depth: 45.2 cm</p>  <p>165 cm wide</p>
	<b>Price gr.</b>	<b>2518</b>	<b>21118</b>	<b>21618</b>
	I	-	-	-
	II	-	-	-
		<p>1 drawer</p>  <p>55 cm wide</p>	<p>1 drawer with split drawer frame</p>  <p>110 cm wide</p>	<p>1 drawer with split drawer frame</p>  <p>165 cm wide</p>
<b>Price gr.</b>	<b>2511</b>	<b>21111</b>	<b>21611</b>	
I	-	-	-	
II	-	-	-	

## 4 Raster sideboard

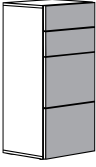
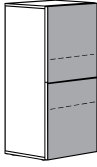
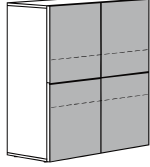
<p><b>4 Raster sideboard</b> 80.7 cm high (incl. 1.5 cm high plinth adjusters), 45.8 cm deep</p>	<p>4 Raster sideboard with 2 doors (with 1 fitted wooden shelf behind each sliding-door) and with split-look front; 4 receding drawers</p>  <p>220 cm wide</p>		
	<b>Price gr.</b>	<b>42203</b>	
I	-		
II	-		



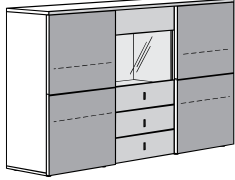
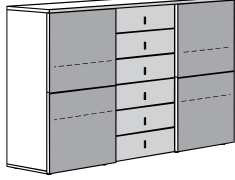
# 6 Raster single units

Accessories see pages 278-280!

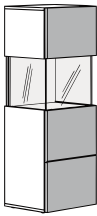
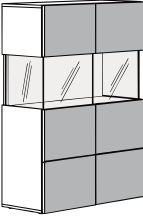
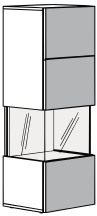
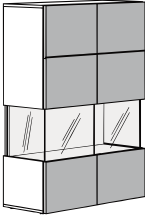
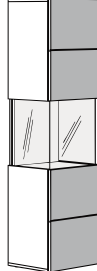
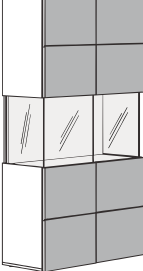
List of versions: see page 274




<b>6 Raster single units</b> 116.7 cm high (incl. 1.5 cm high plinth adjusters), 45.8 cm deep	6 Raster single unit with 4 drawers  Usable dimensions: Height: 1 Raster drawers: 8.7 cm Height: 2 Raster drawers: 18.7 cm Width: 47.4 cm Depth: 34.6 cm	6 Raster single unit with 1 door and with split-look front; 2 fitted wooden shelves	6 Raster single unit with 2 doors and with split-look front; 2 fitted wooden shelves
	 55 cm wide  <b>6501</b>	 55 cm wide  <b>65031 L</b> <b>65032 R</b>	 110 cm wide  <b>61103</b>
Price gr. I II	-	-	-

# 6 Raster highboards




<b>6 Raster highboards</b> 119.1 cm high (incl. 1.5 cm high plinth adjusters), 45.8 cm deep	6 Raster highboard; left and right 1 door (with 2 fitted wooden shelves each); bottom centre 2 drawers; top centre 1 wooden/glass door, standard right hinges (with 1 bronzed glass shelf)	6 Raster highboard with 2 doors (with 2 fitted wooden shelves each) and with split-look front; 6 receding drawers
	 204 cm wide  <b>62213</b>	 204 cm wide  <b>62203</b>
Price gr. I II	-	-

# 8 and 11 Raster cabinets


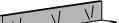

<b>8 Raster cabinets</b> 155.1 cm high (incl. 1.5 cm high plinth adjusters), 45.8 cm deep  Wall fitting necessary	1 or 2 full-length door(s); middle section of bronzed glass; 1 fitted wooden shelf	1 or 2 full-length door(s); middle section of bronzed glass; 1 fitted wooden shelf		
	 55 cm wide  <b>85061 L</b> <b>85062 R</b>	 110 cm wide  <b>81106</b>	 55 cm wide  <b>85161 L</b> <b>85162 R</b>	 110 cm wide  <b>81116</b>
Price gr. I II	-	-	-	-
<b>11 Raster cabinets</b> 206.3 cm high (incl. 1.5 cm high plinth adjusters), 45.8 cm deep  Wall fitting necessary	1 or 2 full-length door(s); middle section of bronzed glass; 2 fitted wooden shelves			
	 55 cm wide  <b>115061 L</b> <b>115062 R</b>	 110 cm wide  <b>111106</b>		
Price gr. I II	-	-		

<b>Wall shelves</b> 19.7 cm deep 3.8 cm thick  for fitting anywhere on wall; invisible adjustable special bracket  Max. load: 15 kg		 55 cm wide	 110 cm wide	 165 cm wide
	<b>5518</b>	<b>1118</b>	<b>1618</b>	
<b>Price gr.</b>	-	-	-	
<b>I</b>	-	-	-	
<b>II</b>	-	-	-	




## 1 Raster angled shelves with shelf of bronzed glass

<b>1 Raster angled shelves</b> 19.2 cm high 19.7 cm deep for fitting anywhere on wall; invisible adjustable special bracket Rear wall panel of wood, shelf of bronzed glass Max. load: 15 kg		Angled shelf  55 cm wide	Angled shelf  110 cm wide	Angled shelf  165 cm wide
	<b>255</b>	<b>215</b>	<b>265</b>	
<b>Price gr.</b>	-	-	-	
<b>I</b>	-	-	-	
<b>II</b>	-	-	-	







## 1 Raster angled shelves with shelf of bronzed glass and lamp

<b>1 Raster angled shelves with lamp</b> 19.2 cm high 19.7 cm deep with LED lamp (230 V, 1 W per lamp) incl. footswitch; remote control unit/Tip-Tronic possible (see page 280); see above for detailed description of angled shelves!		Angled shelf with lamp  55 cm wide	Angled shelf with lamp  110 cm wide	Angled shelf with lamp  165 cm wide
	<b>254</b>	<b>214</b>	<b>264</b>	
<b>Price gr.</b>	-	-	-	
<b>I</b>	-	-	-	
<b>II</b>	-	-	-	

## 2 Raster angled wooden shelves

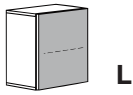
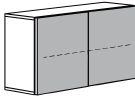
<b>2 Raster angled wooden shelves</b> 38.4 cm high 35.0 cm deep  for fitting anywhere on wall; invisible adjustable special bracket Rear wall panel and shelf of wood Max. load: 15 kg		Angled wooden shelf  55 cm wide	Angled wooden shelf  110 cm wide	Angled wooden shelf  165 cm wide
	<b>258</b>	<b>218</b>	<b>268</b>	
<b>Price gr.</b>	-	-	-	
<b>I</b>	-	-	-	
<b>II</b>	-	-	-	

## 2 Raster wall units with flap

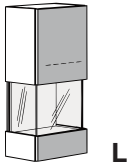
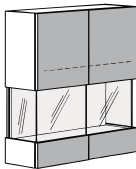
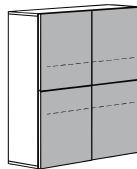
<b>2 Raster wall units with flap</b> 38.4 cm high 35.3 cm deep  for fitting anywhere on wall  Max. load: 30 kg  The wall units can not be fitted directly on top of one another.  Bronzed glass compartment of 2 Raster wall units with flap optionally left (L) or right (R); with optional lamp (light panel under glass shelf, 230 V, 8/13 W); wall socket necessary on site (remote control unit/Tip-Tronic possible, see page 280).		2 Raster wall unit with flap (with 1 centre partition)  110 cm wide	2 Raster wall unit with flap (with 1 centre partition)  110 cm wide	2 Raster wall unit with flap (with 1 centre partition)  165 cm wide	2 Raster wall unit with flap (with 1 centre partition)  165 cm wide
	<b>21138</b>	<b>21139</b>	<b>21638</b>	<b>21639</b>	
	<b>Price gr.</b>	-	-	-	-
	<b>I</b>	-	-	-	-
	<b>II</b>	-	-	-	-
	2 Raster wall unit with flap and bronzed glass compartment; with 1 bronzed fitted glass shelf and 1 centre partition  110 cm wide		2 Raster wall unit with flap and bronzed glass compartment; with 1 bronzed fitted glass shelf and 1 centre partition  165 cm wide		
	without lamp	with lamp	without lamp	with lamp	
<b>Price gr.</b>	<b>211481 L</b> <b>211482 R</b>	<b>211491 L</b> <b>211492 R</b>	<b>216481 L</b> <b>216482 R</b>	<b>216491 L</b> <b>216492 R</b>	
<b>I</b>	-	-	-	-	
<b>II</b>	-	-	-	-	

### 3 Raster wall units with doors





List of versions: see page 274


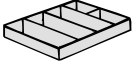




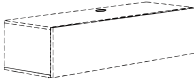
<b>3 Raster wall units with doors</b> 57.6 cm high 35.3 cm deep for fitting anywhere on wall Max. load: 30 kg	3 Raster wall unit with 1 door; 1 fitted wooden shelf  55 cm wide	3 Raster wall unit with 2 doors; 1 fitted wooden shelf  110 cm wide	
	Price gr. I II	355131 L 355132 R - -	31113 - -

### 6 Raster wall cabinets and wall unit

<b>6 Raster wall cabinets and wall unit</b> 115.2 cm high 35.3 cm deep for fitting anywhere on wall Max. load: 40 kg	6 Raster wall cabinet with 1 full-length door; middle section of bronzed glass; with 1 bronzed glass shelf and 1 fitted wooden shelf  55 cm wide	6 Raster wall cabinet with 2 full-length doors; middle section of bronzed glass; with 1 bronzed glass shelf and 1 fitted wooden shelf  110 cm wide	6 Raster wall unit with 2 doors and split-look front; with 2 fitted wooden shelves  110 cm wide
	Price gr. I II	61161 L 61162 R - -	61116 - -

### Accessories

			Price group	
			I	II
<b>Fitted wooden shelf</b> 	Fitted wooden shelf for types 85061, 85062, 85161, 85162, 115061, 115062, 65031, 65032	053	-	-
	Fitted wooden shelf for types 61161, 61162	153	-	-
	Fitted wooden shelf for types 355131, 355132	53	-	-
	Fitted wooden shelf for type 61103	1113	-	-
	Fitted wooden shelf for types 81106, 81116, 111106	0113	-	-
	Fitted wooden shelf for type 61116	2113	-	-
	Fitted wooden shelf for types 31113, 61113	3113	-	-
	Fitted wooden shelf for types 42203, 62203, 62213 (behind outer wooden doors)	083	-	-
	Fitted wooden shelf for type 62213 (behind centre wooden/glass door)	063	-	-
<b>Fitted glass shelf</b> 	Fitted glass shelf for type 62213 (behind centre wooden/glass door)	363	-	-
<b>Fitted wooden shelf incl. box drawer</b> 	Fitted wooden shelf incl. box drawer for type 62213 (for fitting below top cover shelf behind centre wooden/glass door); inside dims. of box drawer: HxWxD: 11.2x42.0x28.5 cm	63	-	-
<b>Wooden media unit shelf</b> 	Wooden media unit shelf for fitting in type 21118 (2 Raster lower section with flap); fitted optionally left and/or right; HxWxD: 1.9x51.5x36.8 cm	0531 L 0532 R	-	-
	Wooden media unit shelf for fitting in type 21618 (2 Raster lower section with flap); fitted optionally left and/or right; HxWxD: 1.9x79.0x36.8 cm	0731 L 0732 R	-	-

 <p><b>Tableau</b> with felt stretch cover; for drawers of 4 Raster sideboard and 6 Raster single units and highboards Cutlery holders must be included for fitting in the tableau.</p>	for 55 cm width	for 220 cm wide 4 Raster sideboard	for 204 cm wide 6 Raster highboards
	<b>116</b> -	<b>109</b> -	<b>108</b> -
 <p><b>Cutlery drawer inset</b> Solid beech for drawers of 4 Raster sideboard and 6 Raster single units and highboards (Example: quadruple drawer)</p>	Single drawer 10 x 6 x 33.5 cm	Twin drawer 20 x 6 x 33.5 cm	Quadruple drawer 40 x 6 x 33.5 cm
	<b>111</b> -	<b>112</b> -	<b>113</b> -
 <p><b>Cutlery box</b> Solid beech with felt base and lid; for drawers of 4 Raster sideboard and 6 Raster single units and highboards Cutlery holders must be included for fitting in the cutlery box.</p>	40 x 6 x 33.5 cm		60 x 6 x 33.5 cm
	<b>114</b> -		<b>120</b> -
 <p><b>Cutlery holder</b> with felt stretch cover, necessary for fitting in cutlery box and tableau Set 1: for 60 pcs of cutlery Set 2: for 17 utensils</p>	<b>Set 1:</b> for standard cutlery like spoons, forks, knives, etc.		<b>Set 2:</b> for ladles, cake forks, cake servers, etc.
	<b>118</b> -		<b>119</b> -
 <p><b>CD holder for drawers</b> Please state exactly in your order and sketch for which drawer the CD holder is intended.</p>	for 54 CD's (for 1 drawer of 55 cm wide lower sections)	for 54 CD's (for 1/2 drawer of 110 cm wide lower sections)	for 90 CD's (for 1/2 drawer of 165 cm wide lower sections)
	<b>5527</b> -	<b>1127</b> -	<b>1627</b> -
 <p><b>DVD holder for 2 Raster drawers</b> Please state exactly in your order and sketch for which 2 Raster drawer the DVD holder is intended.</p>	for 28 DVD's (for 1 drawer of 55 cm wide lower sections)	for 28 DVD's (for 1/2 drawer of 110 cm wide lower sections)	for 42 DVD's (for 1/2 drawer of 165 cm wide lower sections)
	<b>5528</b> -	<b>1128</b> -	<b>1628</b> -
 <p><b>Cable aperture for lower sections</b> Silver-coloured; Ø 8.0 cm; It is possible to make a cable aperture in the top cover shelf of the lower sections (at a surcharge). The cable aperture is possible at the rear of the cover shelf in a central position of the respective drawer/flap front (see sketch). Distance of centre of aperture from rear rim of the unit: 9.0 cm</p>	Cable aperture <b>K1</b> -		

# Integrated power LED spotlamps

List of versions: see page 274

	<p><b>Integrated power LED spotlamps</b> for fitting in cabinets, wall cabinets, highboards, wall shelves as well as under wall units and angled wooden shelves; 3 W</p>	<p><b>Radio remote control unit possible. Please be sure to follow the information given on pages 330-333!</b></p>
		<p>Price per spotlamp <b>7921</b></p>

## Tip-Tronic ! Attention: Please be sure to follow the information given on pages 330-333! !

<p>The lamps are normally operated by an external footswitch. As an alternative we can also provide a Tip-Tronic switch, which is charged extra. By touching the <b>Tip-Tronic</b> sensor (aluminium colour, Ø 1.5 cm) it is possible to switch all the <b>ELEA</b> lamps (230 V, up to 250 W) on and off. The Tip-Tronic unit is mounted in 1 Raster angled shelves with lamps, cabinets, wall cabinets and highboards. Please mark the position of the Tip-Tronic sensor in the sketch! The standard position is 6 cm (for cabinets, wall cabinets and highboards) or 8 cm (for 1 Raster angled shelves with lamps) from the right-hand edge of the given unit. For wall units and cabinets the Tip-Tronic sensor is only possible sideways at the rear in the carcass. The footswitch is omitted when a Tip-Tronic unit is included.</p>			<p><b>7619</b></p>
---	--	--	--------------------

## Radio remote control unit ! Attention: Please be sure to follow the information given on pages 330-333! !

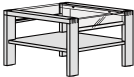
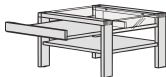

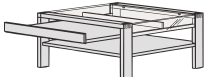
<p>A 4-channel radio remote control unit (= transmitter), which is charged extra, is also available as an alternative to the standard switch. Several lights (up to a total load of max. 400 W per channel) can be switched on and off with each of the 4 channels. It is also possible to switch all channels on and off simultaneously with the "all on" or "all off" buttons. Up to 4 receivers can be operated with one radio remote control unit (see examples on pages 330-333). <b>Transmitter and receiver must be ordered separately.</b> The footswitch is omitted when the radio remote control unit is employed. The radio remote control unit can be used for 1 Raster angled shelves with lamps, 2 Raster wall units with flap and bronzed glass compartment, cabinets and wall cabinets.</p>		
<p>Price per transmitter Price per receiver</p>	<p>type <b>2006</b> - type <b>2007</b> -</p>	

## Top glass section for TV

<p><b>Top glass section for TV</b> 14.2 cm high; 40.0 cm deep Glass surface, 1.0 cm thick, of bronzed glass Fitted on lower sections Max. load: 50 kg</p>		<p>93.0 cm wide</p>	<p><b>1916</b></p>
---	--	---------------------	--------------------

## Column system/flat screen support

<p><b>Column system</b> for fitting anywhere on wall; consisting of a column of metal and of audio/DVD support(s), for fitting anywhere on column</p>		<p><b>Example of use:</b></p>	
<p><b>Columns</b> of metal; for fitting anywhere on wall above top rim of plinth slot; cables can be laid and hidden at any height; audio/DVD supports can be fitted anywhere on the column.</p>	<p><b>Audio/DVD support</b> of metal: can be positioned at any height on the column and be adjusted to match audio/DVD players of any size; with rubber padding at front to prevent units from slipping; max. load: 10 kg</p>	<p><b>Flat screen support, ideally adaptable</b> The flat screen support can be adjusted 3-dimensionally. It is suitable for 77-108 cm (31"-42") wide flat screens. Max. load: 45 kg. Go to <a href="http://www.vogels.com">www.vogels.com</a> to check if your flat screen can be fitted on this flat screen support. Enter the name EFW 6345. After a few steps you can see if your flat screen TV is compatible with the flat screen support.</p>	<p><b>LED flat screen support THIN, ideally adaptable</b> <span style="background-color: black; color: white; padding: 2px;"><b>NEW</b></span> The LED flat screen support can be adjusted 3-dimensionally. It is suitable for 81-132 cm (32"-52") wide LED flat screens with a maximum depth of 4.0 cm. Max. load: 25 kg. Go to <a href="http://www.vogels.com">www.vogels.com</a> to check if your flat screen can be fitted on this flat screen support. Enter the name THIN 345. After a few steps you can see if your flat screen TV is compatible with the flat screen support.</p>
<p>36.8 cm high</p>	<p>64.1 cm high</p>	<p>for fitting anywhere on wall</p>	
<p><b>9201</b></p>	<p><b>9202</b></p>	<p><b>9203</b></p>	<p><b>9204</b></p>
<p>-</p>	<p>-</p>	<p>-</p>	<p>-</p>
<p>for fitting anywhere on wall</p>		<p><b>9304</b></p>	
<p>-</p>			

<b>Coffee tables CT 120</b> 42.0 cm high  Optional with one drawer (veneer)  Top angled glass surface of bronzed glass  Lower surface of wood (veneer)  On wooden substructure		 70x70 cm wide without drawer	 70x70 cm wide with 1 drawer
		<b>77</b>	<b>771</b>
	<b>Price gr.</b>	-	-
	<b>II</b>	-	-
	 90x90 cm wide without drawer	 90x90 cm wide with 1 drawer	
	<b>99</b>	<b>991</b>	
<b>Price gr.</b>	-	-	
<b>II</b>	-	-	

## Coffee tables

### Coffee tables

hülsta offers a comprehensive **collection of coffee tables**, which not only match the hülsta furniture ranges perfectly but can also be combined with other products that are available on the market. You will find these coffee tables in a number of designs, sizes and versions in the separate **"Coffee tables"** chapter.



## DINING ROOMS Dining tables and chairs

### DINING ROOMS

hülsta offers a room concept to meet all requirements in comfort, beauty of form and attractiveness with a comprehensive collection of dining room tables and chairs

The **dining tables** in a wide variety of sizes (with and without pullout function) in all wood surface versions and in contemporary designs, as well as the **dining chairs** that can be combined individually using different armrests, comfort features, high-grade cover fabrics (leather, textiles) and metal surfaces can all be found – together with the dining room furniture offered by hülsta – in the separate **DINING ROOMS** price list.



## hülsta-HOMEOFFICE

### hülsta-HOMEOFFICE

The design of **hülsta-HOMEOFFICE** catches the eye and it is just this simplicity in design which makes the range so radiant. The hülsta-HOMEOFFICE desk collection is characterised by straightforwardness, simplicity, innovation and its focus on practical features. You will find this desk collection in the separate chapter **"hülsta-HOMEOFFICE"**.



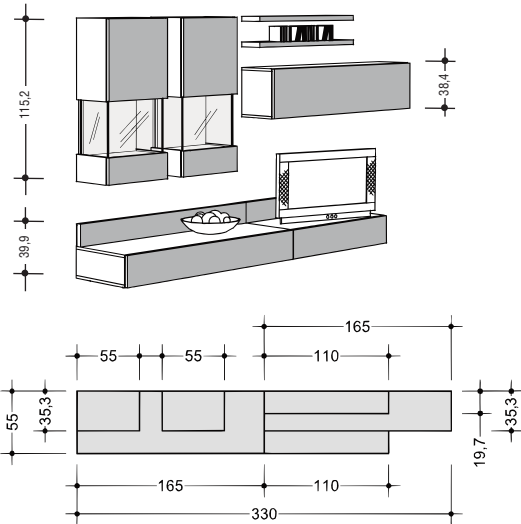
## ERGOMO

### ERGOMO Home office and office chairs

The **ERGOMO home office and office chairs** are so elegant and straightforward in design and form that it is possible for them to be used both in private living rooms and in public offices. You will find this home office and office chair collection in the separate chapter **"ERGOMO"**.



Special combinations are arrangements that are reduced in price. This price advantage is only available when the arrangement is ordered exactly as described. The special combinations can be enhanced by including accessories (integrated power LED spotlamps in cabinets, fittings, etc). These are charged extra.



**Important note:**

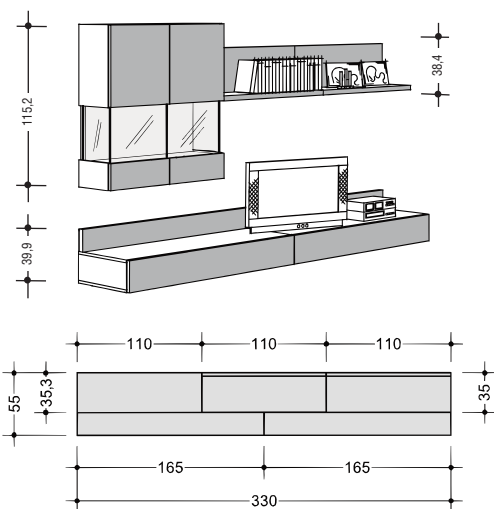
The 2 Raster lower sections of this special combination are supplied in a standard version with drawers. However, it is also possible to order this special combination optionally with 2 flap units, with 1 drawer left and 1 flap unit right or with 1 flap unit left and 1 drawer right (same price). If 2 flap units are required, please add -1 to the unit type number, e.g. **990103-1**, for a drawer left and a flap unit right add -2, e.g. **990103-2**, for a flap unit left and a drawer right add -3, e.g. **990103-3**.

**Please state this clearly in your order!**

**Special combination**

- 2 Raster lower sections with drawers
- Note: 2 Raster wall unit with flap bracket at bottom

	as illustrated	vice versa
	<b>990103</b>	<b>995103</b>
<b>Price gr.</b>		
<b>I</b>	-	-
<b>II</b>	-	-



**Important note:**

The 2 Raster lower sections of this special combination are supplied in a standard version with drawers. However, it is also possible to order this special combination optionally with 2 flap units, with 1 drawer left and 1 flap unit right or with 1 flap unit left and 1 drawer right (same price). If 2 flap units are required, please add -1 to the unit type number, e.g. **990104-1**, for a drawer left and a flap unit right add -2, e.g. **990104-2**, for a flap unit left and a drawer right add -3, e.g. **990104-3**.

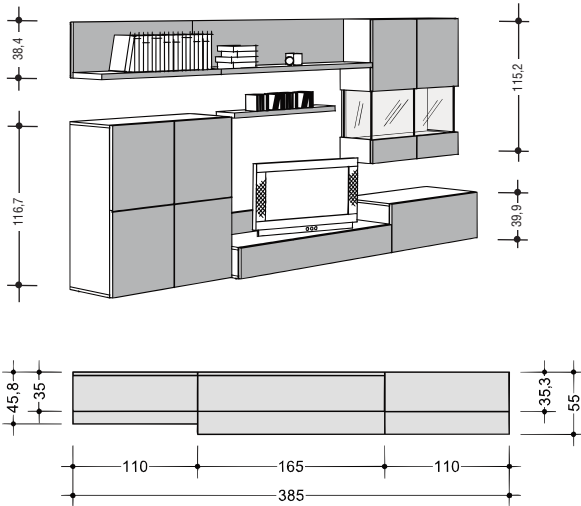
**Please state this clearly in your order!**

**Special combination**

- 2 Raster lower sections with drawers

	as illustrated	vice versa
	<b>990104</b>	<b>995104</b>
<b>Price gr.</b>		
<b>I</b>	-	-
<b>II</b>	-	-

Special combinations are arrangements that are reduced in price. This price advantage is only available when the arrangement is ordered exactly as described. The special combinations can be enhanced by including accessories (integrated power LED spotlamps in cabinets, fittings, etc). These are charged extra.



### Important note:

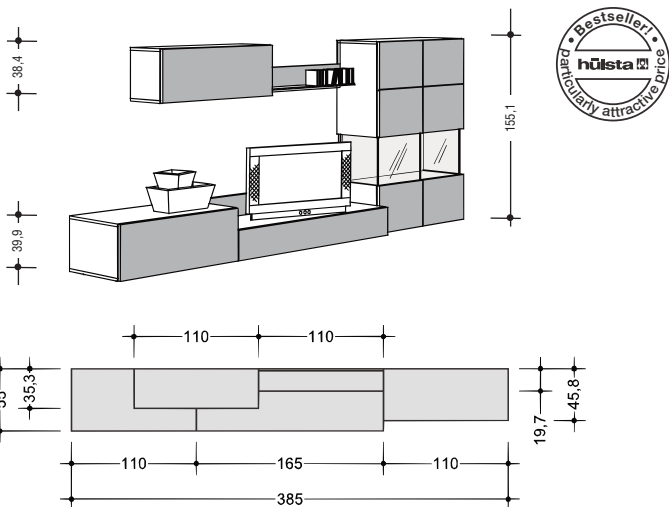
The 2 Raster lower sections of this special combination are supplied in a standard version with drawers. However, it is also possible to order this special combination optionally with 2 flap units, with 1 drawer left and 1 flap unit right or with 1 flap unit left and 1 drawer right (same price). If 2 flap units are required, please add -1 to the unit type number, e.g. **990105-1**, for a drawer left and a flap unit right add -2, e.g. **990105-2**, for a flap unit left and a drawer right add -3, e.g. **990105-3**.

**Please state this clearly in your order!**

### Special combination

- 2 Raster lower sections with drawers

	as illustrated	vice versa
	<b>990105</b>	<b>995105</b>
<b>Price gr.</b>		
<b>I</b>	-	-
<b>II</b>	-	-



### Important note:

The 2 Raster lower sections of this special combination are supplied in a standard version with drawers. However, it is also possible to order this special combination optionally with 2 flap units, with 1 drawer left and 1 flap unit right or with 1 flap unit left and 1 drawer right (same price). If 2 flap units are required, please add -1 to the unit type number, e.g. **990106-1**, for a drawer left and a flap unit right add -2, e.g. **990106-2**, for a flap unit left and a drawer right add -3, e.g. **990106-3**.

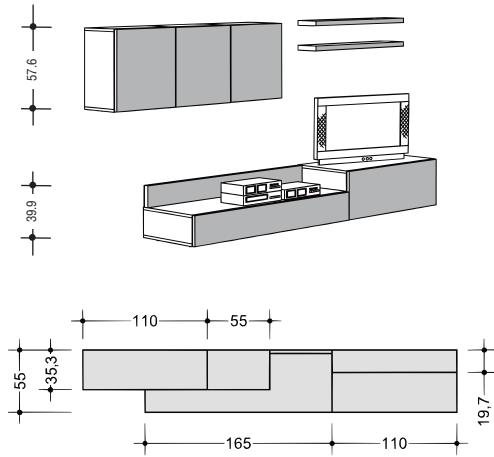
**Please state this clearly in your order!**

### Special combination

- 2 Raster lower sections with drawers
- 1 Raster angled shelf with shelf of bronzed glass, optionally with or without lamp
- Note: 2 Raster wall unit with flap bracket at bottom

	Angled shelf without lamp		Angled shelf with lamp	
	as illustrated	vice versa	as illustrated	vice versa
	<b>990106</b>	<b>995106</b>	<b>990206</b>	<b>995206</b>
<b>Price gr.</b>				
<b>I</b>	-	-	-	-
<b>II</b>	-	-	-	-

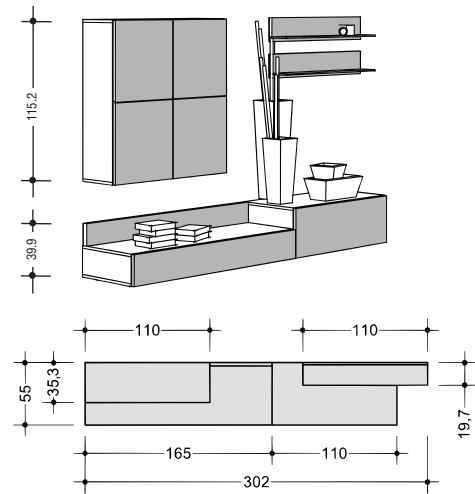
As an alternative to planning an individual unit from the complete range there is the possibility of choosing from specially suggested combinations. This eases planning. Incorporating accessories (integrated power LED spotlamps in cabinets, fittings, etc.) can enhance the suggested combinations. These are charged extra.



### Suggested combination

- 2 Raster lower section with top panel with drawer
- 2 Raster lower section with flap

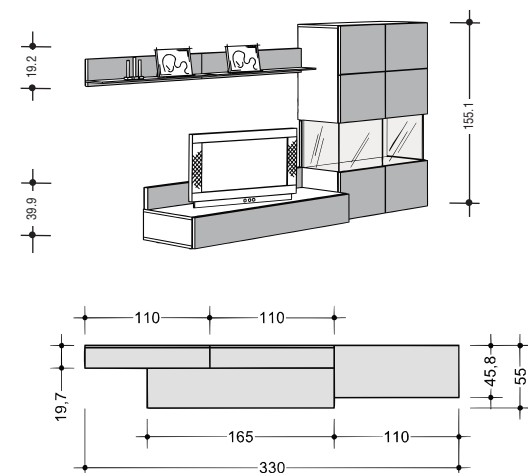
	<b>980107</b>
<b>Price gr.</b>	
<b>I</b>	-
<b>II</b>	-



### Suggested combination

- 2 Raster lower section with top panel with drawer
- 2 Raster lower section with flap

	<b>980108</b>
<b>Price gr.</b>	
<b>I</b>	-
<b>II</b>	-

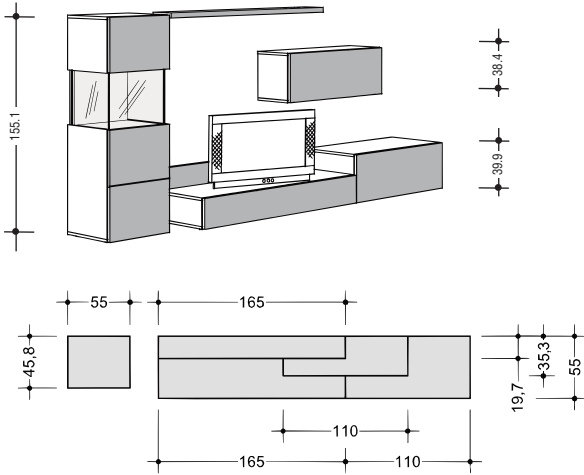


### Suggested combination

- 2 Raster lower section with top panel with flap

	<b>980109</b>
<b>Price gr.</b>	
<b>I</b>	-
<b>II</b>	-

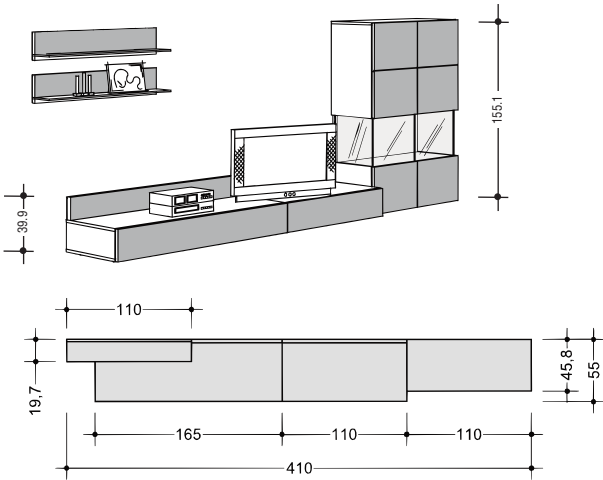
As an alternative to planning an individual unit from the complete range there is the possibility of choosing from specially suggested combinations. This eases planning. Incorporating accessories (integrated power LED spotlamps in cabinets, fittings, etc.) can enhance the suggested combinations. These are charged extra.



### Suggested combination

- 2 Raster lower section with top panel with flap
- 2 Raster lower section with drawer

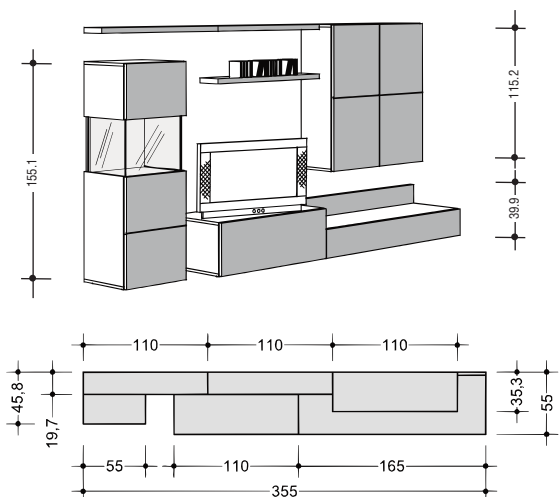
	<b>980110</b>
<b>Price gr.</b>	
<b>I</b>	-
<b>II</b>	-



### Suggested combination

- left 2 Raster lower section with top panel with drawer
- right 2 Raster lower section with top panel with flap

	<b>980111</b>
<b>Price gr.</b>	
<b>I</b>	-
<b>II</b>	-



### Suggested combination

- 2 Raster lower section with flap
- 2 Raster lower section with top panel with drawer

	<b>980112</b>
<b>Price gr.</b>	
<b>I</b>	-
<b>II</b>	-