

**ELEA** is a compact hallway range with a clear geometrical design which is enhanced in true craftsmanship by horizontal so-called “relief planed” surfaces. This “relief-style” planing enhances the grain of the wood and can even be experienced by touch.

Design and nature, long irreconcilable, have now come together.

In nature, solid wood adapts to changing levels of moisture and temperature by altering its form. This is an undesirable effect in solid wooden furniture. By developing its 5-layer solid wooden boards, hülsta has developed a close-to-nature solution which exploits the fact that the shape of the wood alters to varying degrees in different directions compared to the run of the grain. A wooden core and 4 veneer layers of the same type of wood are connected in such a way that the direction of the grain alternates in every layer: lengthwise – sideways – lengthwise – sideways – lengthwise. The result: a perfect solid wooden look and a considerably reduced susceptibility to warping compared to solid wood.

- **Various single units** in 2 heights which can be combined at will
- **Various wall units, wall shelves and angled shelves**
- **Clothes panels** for wall fitting, with hat shelf, clothes rod and clothes hooks
- **Clothes mirror** in two widths and four heights
- **Accessories:** protective mats, utensil basket, umbrella stand
  
- **IMPORTANT NOTE!** The single units offered in this list are only to be viewed as suggestions and can only show an excerpt from the many possible arrangements. Furthermore, you can also choose different combinations from the individual ranges (see the “Ideas for living” price list).

**Important notes:** Fittings for wall mounting are provided with nearly all the units which should be used for your own safety and for constructional reasons. The assembly materials supplied by hülsta (plugs, screws) are only suitable for fitting components on to concrete and/or solid walls. Ideally, one should inquire about the soundness of the walls with regard to their suitability for mounting units when orders are placed and be sure to check them later before mounting any units. If any surfaces are not suitable for mounting units (e.g. plastered or lighter wall materials), one should use another method better suited to the material on site.

**List of versions**

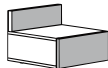
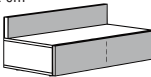
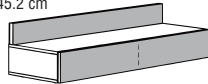
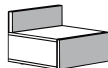
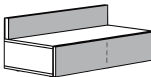
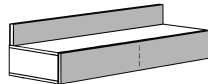
Model no.	Version	Price group
206	Solid structured beech	I
207	Solid natural oak	II

- **All wooden fronts in relief planing** (exception: clothes panels)
- Max. load of wooden and glass shelves (up to 55.0 cm width) as well as drawers: 25 kg
- Max. load of wooden and glass shelves (from 55.0 cm width): 15 kg
- **hülsta-SoftFlow:** all drawers on hidden roller bearings with auto pull-in feature with brake, pull out fully
- **hülsta-MagicClose:** all wooden hinge-doors with door hinge brake

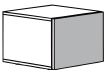
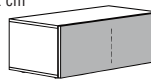
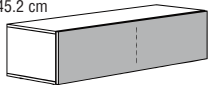
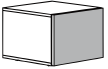
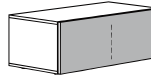
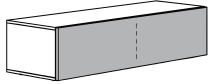
# ELEA 2 Raster lower sections with top panel

Accessories see page 53!

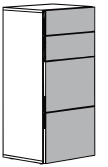
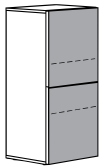
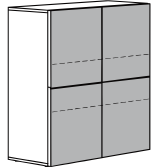
List of versions: see page 49




<p><b>2 Raster lower sections with top panel</b> 39.9 cm high (incl. 1.5 cm high plinth adjusters), 55.0 cm deep</p> <p>Top panel 16.0 cm high</p> <p>incl. 1 cable aperture behind 55 cm wide flap or 2 cable apertures behind 110 and 165 cm wide flap</p> <p>Max. load: 60 kg</p>	<p>1 flap</p> <p>Usable dimensions behind flap: Height: 18.6 cm Width: 51.5 cm Depth: 45.2 cm</p>  <p>55 cm wide</p>		<p>1 flap with 1 centre partition</p> <p>Usable dimensions behind flap: Height: 18.6 cm Width (each side): 51.5 cm Depth: 45.2 cm</p>  <p>110 cm wide</p>		<p>1 flap with 1 centre partition</p> <p>Usable dimensions behind flap: Height: 18.6 cm Width (each side): 79.0 cm Depth: 45.2 cm</p>  <p>165 cm wide</p>		
	<p>Price gr. I II</p>	<p>2508</p> <p>-</p> <p>-</p>		<p>21108</p> <p>-</p> <p>-</p>		<p>21608</p> <p>-</p> <p>-</p>	
		<p>1 drawer</p>  <p>55 cm wide</p>		<p>1 drawer with split drawer frame</p>  <p>110 cm wide</p>		<p>1 drawer with split drawer frame</p>  <p>165 cm wide</p>	
	<p>Price gr. I II</p>	<p>2501</p> <p>-</p> <p>-</p>		<p>21101</p> <p>-</p> <p>-</p>		<p>21601</p> <p>-</p> <p>-</p>	

## 2 Raster lower sections



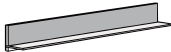
<p><b>2 Raster lower sections</b> 39.9 cm high (incl. 1.5 cm high plinth adjusters), 55.0 cm deep</p> <p>incl. 1 cable aperture behind 55 cm wide flap or 2 cable apertures behind 110 and 165 cm wide flap</p> <p>Max. load: 60 kg</p>	<p>1 flap</p> <p>Usable dimensions behind flap: Height: 34.6 cm Width: 51.5 cm Depth: 45.2 cm</p>  <p>55 cm wide</p>		<p>1 flap with 1 centre partition</p> <p>Usable dimensions behind flap: Height: 34.6 cm Width (each side): 51.5 cm Depth: 45.2 cm</p>  <p>110 cm wide</p>		<p>1 flap with 1 centre partition</p> <p>Usable dimensions behind flap: Height: 34.6 cm Width (each side): 79.0 cm Depth: 45.2 cm</p>  <p>165 cm wide</p>		
	<p>Price gr. I II</p>	<p>2518</p> <p>-</p> <p>-</p>		<p>21118</p> <p>-</p> <p>-</p>		<p>21618</p> <p>-</p> <p>-</p>	
		<p>1 drawer</p>  <p>55 cm wide</p>		<p>1 drawer with split drawer frame</p>  <p>110 cm wide</p>		<p>1 drawer with split drawer frame</p>  <p>165 cm wide</p>	
	<p>Price gr. I II</p>	<p>2511</p> <p>-</p> <p>-</p>		<p>21111</p> <p>-</p> <p>-</p>		<p>21611</p> <p>-</p> <p>-</p>	

## 6 Raster single units


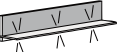
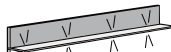
<p><b>6 Raster single units</b> 116.7 cm high (incl. 1.5 cm high plinth adjusters), 45.8 cm deep</p>	<p>6 Raster single unit with 4 drawers</p> <p>Usable dimensions: Height: 1 Raster drawers: 8.7 cm Height: 2 Raster drawers: 18.7 cm Width: 47.4 cm Depth: 34.6 cm</p>  <p>55 cm wide</p>		<p>6 Raster single unit with 1 door and with split-look front; 2 fitted wooden shelves</p>  <p>55 cm wide</p>		<p>6 Raster single unit with 2 doors and with split-look front; 2 fitted wooden shelves</p>  <p>110 cm wide</p>		
	<p>Price gr. I II</p>	<p>6501</p> <p>-</p> <p>-</p>		<p>65031 L 65032 R</p> <p>-</p> <p>-</p>		<p>61103</p> <p>-</p> <p>-</p>	

<p><b>Wall shelves</b> 19.7 cm deep 3.8 cm thick</p> <p>for fitting anywhere on wall; invisible adjustable special bracket</p> <p>Max. load: 15 kg</p>		 55 cm wide	 110 cm wide	 165 cm wide
	<p><b>Price gr.</b> I II</p>	<p><b>5518</b></p> <p>-</p>	<p><b>1118</b></p> <p>-</p>	<p><b>1618</b></p> <p>-</p>

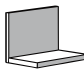
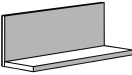
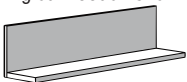
**1 Raster angled shelves with shelf of bronzed glass**

<p><b>1 Raster angled shelves</b> 19.2 cm high 19.7 cm deep for fitting anywhere on wall; invisible adjustable special bracket Rear wall panel of wood, shelf of bronzed glass Max. load: 15 kg</p>		<p>Angled shelf</p>  55 cm wide	<p>Angled shelf</p>  110 cm wide	<p>Angled shelf</p>  165 cm wide
	<p><b>Price gr.</b> I II</p>	<p><b>255</b></p> <p>-</p>	<p><b>215</b></p> <p>-</p>	<p><b>265</b></p> <p>-</p>

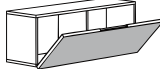
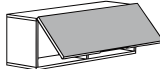
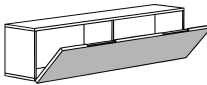
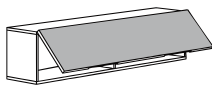


**1 Raster angled shelves with shelf of bronzed glass and lamp**

<p><b>1 Raster angled shelves with lamp</b> 19.2 cm high 19.7 cm deep with LED lamp (230 V, 1 W per lamp) incl. footswitch; remote control unit/Tip-Tronic possible (see page 53); see above for detailed description of angled shelves!</p>		<p>Angled shelf with lamp</p>  55 cm wide	<p>Angled shelf with lamp</p>  110 cm wide	<p>Angled shelf with lamp</p>  165 cm wide
	<p><b>Price gr.</b> I II</p>	<p><b>254</b></p> <p>-</p>	<p><b>214</b></p> <p>-</p>	<p><b>264</b></p> <p>-</p>

**2 Raster angled wooden shelves**

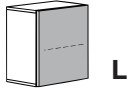
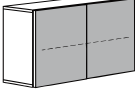
<p><b>2 Raster angled wooden shelves</b> 38.4 cm high 35.0 cm deep for fitting anywhere on wall; invisible adjustable special bracket Rear wall panel and shelf of wood Max. load: 15 kg</p>		<p>Angled wooden shelf</p>  55 cm wide	<p>Angled wooden shelf</p>  110 cm wide	<p>Angled wooden shelf</p>  165 cm wide
	<p><b>Price gr.</b> I II</p>	<p><b>258</b></p> <p>-</p>	<p><b>218</b></p> <p>-</p>	<p><b>268</b></p> <p>-</p>

**2 Raster wall units with flap**

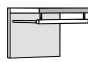
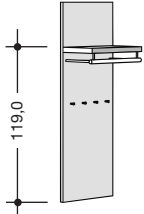
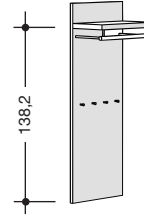
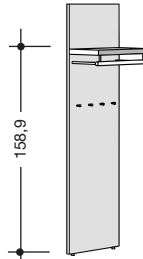
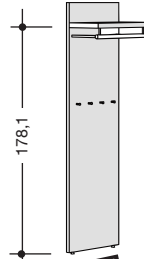
<p><b>2 Raster wall units with flap</b> 38.4 cm high 35.3 cm deep for fitting anywhere on wall Max. load: 30 kg</p> <p>The wall units can not be fitted directly on top of one another.</p> <p>Bronzed glass compartment of 2 Raster wall units with flap optionally left (L) or right (R); with optional lamp (light panel under glass shelf, 230 V, 8/13 W); wall socket necessary on site (remote control unit/Tip-Tronic possible, see page 53).</p>		<p>2 Raster wall unit with flap (with 1 centre partition)</p>  110 cm wide	<p>2 Raster wall unit with flap (with 1 centre partition)</p>  110 cm wide	<p>2 Raster wall unit with flap (with 1 centre partition)</p>  165 cm wide	<p>2 Raster wall unit with flap (with 1 centre partition)</p>  165 cm wide
	<p><b>Price gr.</b> I II</p>	<p><b>21138</b></p> <p>-</p>	<p><b>21139</b></p> <p>-</p>	<p><b>21638</b></p> <p>-</p>	<p><b>21639</b></p> <p>-</p>
		<p>2 Raster wall unit with flap and bronzed glass compartment; with 1 bronzed fitted glass shelf and 1 centre partition</p>  110 cm wide		<p>2 Raster wall unit with flap and bronzed glass compartment; with 1 bronzed fitted glass shelf and 1 centre partition</p>  165 cm wide	
		without lamp	with lamp	without lamp	with lamp
	<p><b>Price gr.</b> I II</p>	<p><b>211481 L</b> <b>211482 R</b></p> <p>-</p>	<p><b>211491 L</b> <b>211492 R</b></p> <p>-</p>	<p><b>216481 L</b> <b>216482 R</b></p> <p>-</p>	<p><b>216491 L</b> <b>216492 R</b></p> <p>-</p>

# ELEA 3 Raster wall units with doors

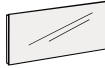

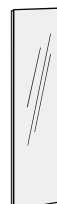

List of versions: see page 49





<p><b>3 Raster wall units with doors</b> 57.6 cm high 35.3 cm deep for fitting anywhere on wall Max. load: 30 kg</p>	<p>3 Raster wall unit with 1 door; 1 fitted wooden shelf</p>  <p>55 cm wide</p> <p><b>355131 L</b> <b>355132 R</b></p>		<p>3 Raster wall unit with 2 doors; 1 fitted wooden shelf</p>  <p>110 cm wide</p> <p><b>31113</b></p>	
	<p>Price gr. I II</p>	-		-

## Clothes panels


<p><b>Clothes panels</b> 38.4 cm or 153.6 cm high (for fitting anywhere on walls) or 193.5 cm high (incl. 1.5 cm high plinth adjusters); 3.9 cm thick, 35.0 cm deep incl. hat shelf  Clothes panels of solid 3-layered board, horizontal veneer  Clothes rod and bag hooks, aluminium-coloured, powder-coated</p>	<p>Clothes panel with hat shelf and clothes rod; 38.4 cm high</p>  <p>55 cm wide</p> <p><b>2551</b></p>		<p>Clothes panel with hat shelf, clothes rod and 4 bag books; 153.6 cm high (for fitting above 2 Raster single unit)</p>  <p>55 cm wide</p> <p><b>8551</b></p>		<p>Clothes panel with hat shelf, clothes rod and 4 bag books; 193.5 cm high (incl. 1.5 cm high plinth adjusters)</p>  <p>55 cm wide</p> <p><b>8552</b></p> <p><b>NEW</b></p>		<p>Clothes panel with hat shelf, clothes rod and 4 bag books; 193.5 cm high (incl. 1.5 cm high plinth adjusters)</p>  <p>55 cm wide</p> <p><b>10551</b></p>		<p>Clothes panel with hat shelf, clothes rod and 4 bag books; 193.5 cm high (incl. 1.5 cm high plinth adjusters)</p>  <p>55 cm wide</p> <p><b>10552</b></p> <p><b>NEW</b></p>	
	<p>Price gr. I II</p>	-		-		-		-		-

## Mirrors

<p><b>Mirrors</b> 0.5 cm thick on receding, 3.4 cm thick base plate</p>	<p>Mirror</p>  <p>38.4 x 110.0 cm</p> <p><b>2117</b></p>		<p>Mirror</p>  <p>76.8 x 55.0 cm</p> <p><b>4557</b></p>		<p>Mirror</p>  <p>153.6 x 55.0 cm</p> <p><b>8557</b></p>		<p>Mirror</p>  <p>192.0 x 55.0 cm</p> <p><b>10557</b></p>	
	<p>Price gr. I II</p>	-		-		-		-

		Price group	
		I	II
 <p><b>Fitted wooden shelf</b></p>	<b>Fitted wooden shelf</b> for types 355131, 355132	<b>53</b>	-
	<b>Fitted wooden shelf</b> for types 65031, 65032	<b>053</b>	-
	<b>Fitted wooden shelf</b> for type 61103	<b>1113</b>	-
	<b>Fitted wooden shelf</b> for type 31113	<b>3113</b>	-
 <p><b>Protective mat</b> (set of 3) of transparent plastic; for fitted shelves of 6 Raster single units with doors</p>	for 55 cm width	<b>953</b>	for 110 cm width
		-	<b>913</b>
 <p><b>Utensil basket</b> (chrome, is fitted to the inner side of closed single units) Height: 10 cm; width: 28 cm; depth: 12 cm</p>		<b>094</b>	-
 <p><b>Umbrella stand</b> for fitting on clothes panel (aluminium-coloured, powder-coated); can be fitted left (L) or right (R). Please state in the order!</p> <p>Height: 31.0 cm Width: 23.4 cm Depth: 23.4 cm</p>		<b>9071 L</b> <b>9072 R</b>	-

**Integrated power LED spotlamps**

 <p><b>Integrated power LED spotlamps</b> for fitting in wall shelves as well as under wall units and angled wooden shelves; 3 W</p>	<p><b>Radio remote control unit possible. Please be sure to follow the information given on pages 330-333 in the price list „Living Rooms“!</b></p>
	<p>Price per spotlamp</p> <p><b>7921</b></p> <p>-</p>

**Tip-Tronic ! Attention:** Please be sure to follow the information given on pages 330-333 in the price list „Living Rooms“!

The lamps are normally operated by an external footswitch. As an alternative we can also provide a **Tip-Tronic** switch, which is charged extra. By touching the Tip-Tronic sensor (aluminium colour, Ø 1.5 cm) it is possible to switch all the **ELEA** lamps (230 V, up to 250 W) on and off. The Tip-Tronic unit is mounted in 1 Raster angled shelves with lamps. Please mark the position of the Tip-Tronic sensor in the sketch! The standard position is 8 cm from the right-hand edge of the given unit. For wall units the Tip-Tronic sensor is only possible sideways at the rear in the carcass. The footswitch is omitted when a Tip-Tronic unit is included.



**7619**

-

**Radio remote control unit ! Attention:** Please be sure to follow the information given on pages 330-333 in the price list „Living Rooms“!

A 4-channel radio remote control unit (= transmitter), which is charged extra, is also available as an alternative to the standard switch. Several lights (up to a total load of max. 400 W per channel) can be switched on and off with each of the 4 channels. It is also possible to switch all channels on and off simultaneously with the "all on" or "all off" buttons. Up to 4 receivers can be operated with one radio remote control unit (see examples on pages 330-333 in the price list „Living Rooms“!). **Transmitter and receiver must be ordered separately.** The footswitch is omitted when the radio remote control unit is employed. The radio remote control unit can be used for 1 Raster angled shelves with lamps and 2 Raster wall units with flap and bronzed glass compartment.

**Price per transmitter** type **2006** -  
**Price per receiver** type **2007** -



Special combinations are arrangements that are reduced in price. This price advantage is only available when the arrangement is ordered exactly as described. The special combinations can be enhanced by including accessories (integrated power LED spotlamps, fittings, etc). These are charged extra.

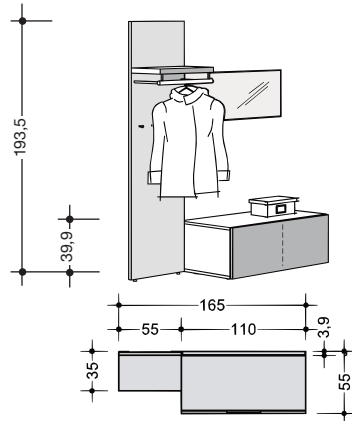
<p>2 Raster wall unit with flap bracket at bottom</p> <p><b>with clothes panel type 8551</b> (as illustrated)</p>		<p><b>with clothes panel type 10551</b> (as illustrated)</p>		
Price gr.	as illustrated	vice versa	as illustrated	vice versa
	<b>990151</b>	<b>995151</b>	<b>990153</b>	<b>995153</b>
I	-	-	-	-
II	-	-	-	-
with clothes panel type 8552 <b>NEW</b>		with clothes panel type 10552 <b>NEW</b>		
Price gr.	as illustrated	vice versa	as illustrated	vice versa
	<b>990251</b>	<b>995251</b>	<b>990253</b>	<b>995253</b>
I	-	-	-	-
II	-	-	-	-

## Suggested combinations

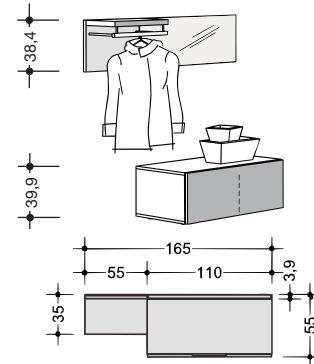
As an alternative to planning an individual unit from the complete range there is the possibility of choosing from specially suggested combinations. This eases planning. Incorporating accessories (integrated power LED spotlamps, fittings, etc.) can enhance the suggested combinations. These are charged extra.

<p><b>with clothes panel type 8551</b> (as illustrated)</p>		<p><b>with clothes panel type 10551</b></p>		
Price gr.	as illustrated	vice versa	as illustrated	vice versa
	<b>990152</b>	<b>995152</b>	<b>990154</b>	<b>995154</b>
I	-	-	-	-
II	-	-	-	-
with clothes panel type 8552 <b>NEW</b>				
Price gr.	as illustrated			vice versa
	<b>990252</b>			<b>995252</b>
I	-	-		
II	-	-		

As an alternative to planning an individual unit from the complete range there is the possibility of choosing from specially suggested combinations. This eases planning. Incorporating accessories (integrated power LED spotlamps, fittings, etc.) can enhance the suggested combinations. These are charged extra.



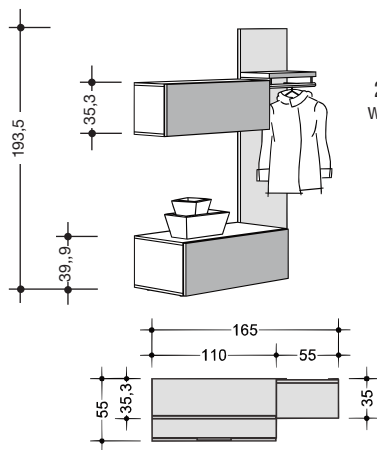
with clothes panel type 10551 (as illustrated)



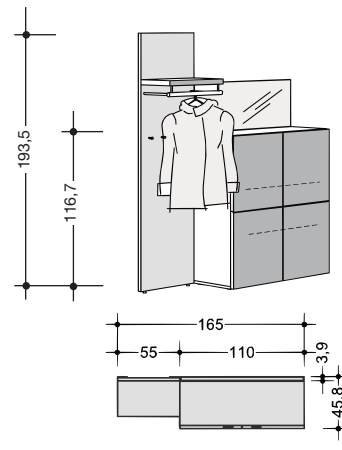
	2 Raster lower section with wooden flap		2 Raster lower section with drawer	
	as illustrated	vice versa	as illustrated	vice versa
Price gr.	<b>980156</b>	<b>985156</b>	<b>980256</b>	<b>985256</b>
I	-	-	-	-
II	-	-	-	-

with clothes panel type 10552 **NEW**

	2 Raster lower section with wooden flap		2 Raster lower section with drawer		2 Raster lower section with wooden flap		2 Raster lower section with drawer	
	as illustrated	vice versa	as illustrated	vice versa	as illustrated	vice versa	as illustrated	vice versa
Price gr.	<b>980356</b>	<b>985356</b>	<b>980456</b>	<b>985456</b>	<b>980155</b>	<b>985155</b>	<b>980255</b>	<b>985255</b>
I	-	-	-	-	-	-	-	-
II	-	-	-	-	-	-	-	-



with clothes panel type 10551 (as illustrated)



with clothes panel type 10551 (as illustrated)

	2 Raster lower section with wooden flap		2 Raster lower section with drawer	
	as illustrated	vice versa	as illustrated	vice versa
Price gr.	<b>980157</b>	<b>985157</b>	<b>980257</b>	<b>985257</b>
I	-	-	-	-
II	-	-	-	-

with clothes panel type 10552 **NEW**

	as illustrated	vice versa
Price gr.	<b>980158</b>	<b>985158</b>
I	-	-
II	-	-

	2 Raster lower section with wooden flap		2 Raster lower section with drawer		with clothes panel type 10552 <b>NEW</b>	
	as illustrated	vice versa	as illustrated	vice versa	as illustrated	vice versa
Price gr.	<b>980357</b>	<b>985357</b>	<b>980457</b>	<b>985457</b>	<b>980258</b>	<b>985258</b>
I	-	-	-	-	-	-
II	-	-	-	-	-	-